



AC Surge Protection Device

EAP Series AC SPD T2 $I_{max}:40kA$

Leading Manufacturer Protects Solar Power Safety

Rev1.0 2022/12/06



AC Surge Protection Device

EAP SERIES AC SPD T2 I_{max}:40kA



Product Application

EAP Series Surge Protection Device was designed and manufactured, complying standard GB/T18802.1 /EN 61643-11 , Rated voltage 275V~, 320V~, 385V~, Maximum discharge current 40kA, High Energy Varistor, high effective for lightning protection.

Product Benefits

- Prewired Modular Complete Unit, Consisting of A Base Part and Plug-in Protection Modules.
- Plug-in Protection Module, Easily Installation and Maintenance.
- High Energy Varistor, Response Time Less Than 25 Nanosecond
- Optional Remote Signalling Contact(FM) for Monitoring Device (Floating Changeover Contact)

Select Code

E	A	P	320	/	□	-	□	□
1	2	3	4		5		6	7

Code	Name	Description
1	NCCY brand	E
2	AC	A
3	Product Code	P: Surge Protector
4	Voltage	75:75V 150:150V 275:275V 320:320V 385:385V 420:420V
5	I _{max}	40:40kA
6	Pole	1:1P 2:2P 3:3P 4:4P 5:1+NPE 6:3+NPE
7	Remote signal	R: with RC Nil: with out RC

Appearance Introduction



EAP SERIES AC SPD T2 I_{max}:40kA

Technical Data



IEC Electrical							
Nominal AC Voltage (50/60Hz)	U_o/U_n	60V	120V	230V	230V	230V	230V
Maximum Continuous Operating Voltage (AC)	U_c	75V	150V	275V	320V	385V	420V
Nominal Discharge Current (8/20 μ s)	I_n	20kA	20kA	20kA	20kA	20kA	20kA
Maximum Discharge Current (8/20 μ s)	I_{max}	40kA	40kA	40kA	40kA	40kA	40kA
Voltage Protection Level	U_p	400V	1000V	1400V	1400V	1800V	2000V
Response Time	t_A	< 25ns					
Back-Up Fuse (max)		125A gL / gG					
Short-Circuit Current Rating (AC)	I_{SCCR}	25kA / 50kA					
TOV Withstand 5s	U_T	335V					
	U_T	440V					
TOV 120min	Mode	Safe Fail					
Number of Ports		1					
UL Electrical							
Maximum Continuous Operating Voltage (AC)	MCOV	75V	150V	275V	320V	385V	420V
Voltage Protection Rating	VPR	330V	600V	900V	1000V	1200V	1400V
Nominal Discharge Current (8/20 μ s)	I_n	20kA	20kA	20kA	20kA	20kA	20kA
Short-Circuit Current Rating (AC)	I_{SCCR}	150kA	150kA	150kA	150kA	150kA	150kA
Mechanical & Environmental							
Operating Temperature Range	T_a	-40°F to +158°F [-40°C to +70°C]					
Permissible Operating Humidity	RH	5%...95%					
Atmospheric pressure and altitude		80k Pa ... 106k Pa / -500m ... 2000m					
Terminal Screw Torque	M_{max}	39.9 lbf-in [2.0~2.5 N-m]					
Conductor Cross Section (max)		2 AWG (Solid, Stranded) / 4 AWG (Flexible)					
		35mm ² (Solid, Stranded) / 25mm ² (Flexible)					
Mounting		35mm DIN Rail, EN 60715					
Degree of Protection		IP20(built-in)					
Housing Material		Thermoplastic: Extinguishing Degree UL 94 V-0					
Thermal Protection		Yes					
Operating State / Fault Indication		Green: ok / Red: failure					
Remote Contacts (RC)		Optional					
RC Switching Capacity		AC:250V/0.5A; DC:250V/0.1A; 125V/0.2A; 75V/0.5A					
RC Conductor Cross Section (max)		16AWG (Solid) / 1.5mm ² (Solid)					

AC Surge Protection Device

EAP SERIES AC SPD T2 I_{max}:40kA

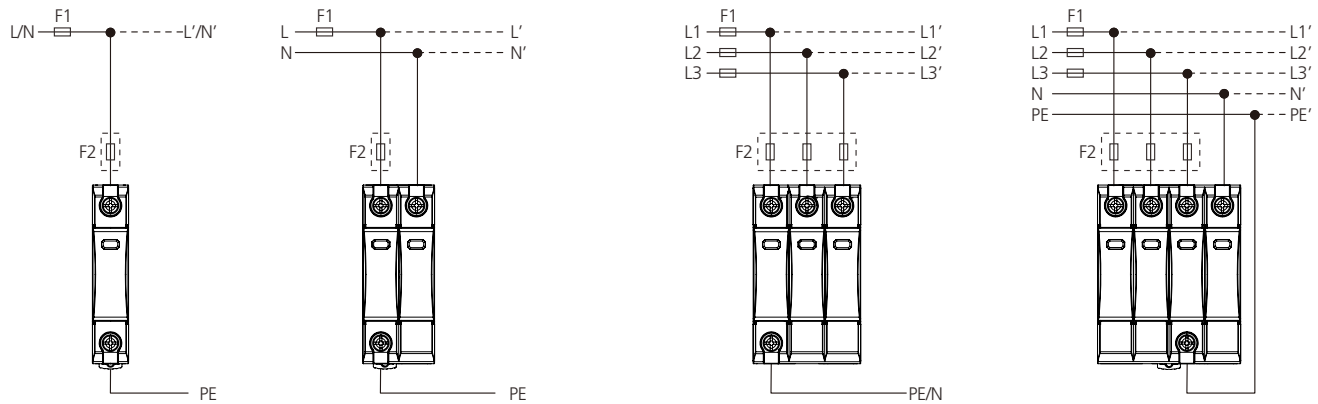
Technical Data



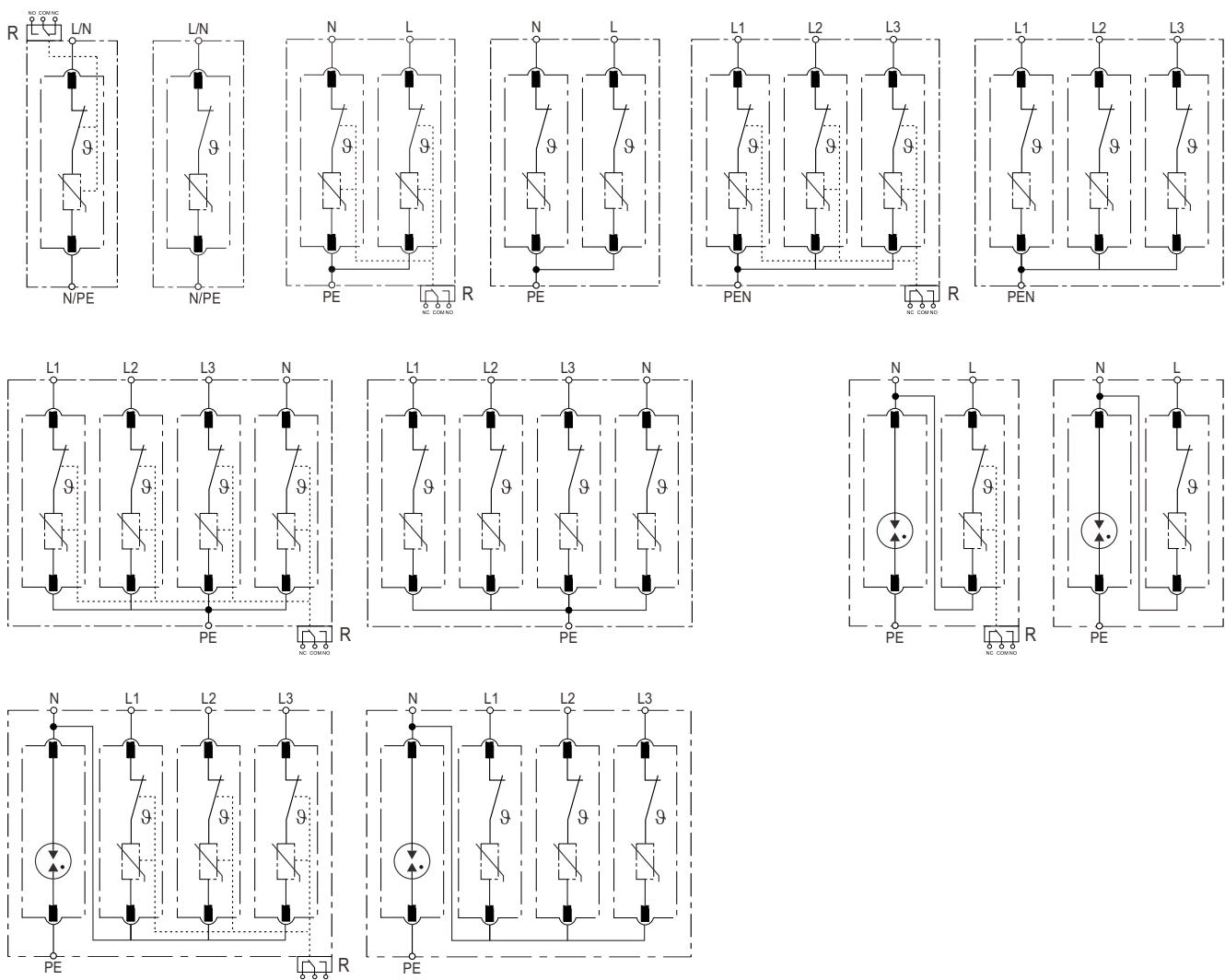
Product model				
IEC Electrical				
Nominal AC Voltage (50/60Hz)	U_o/U_n	230V		
Maximum Continuous Operating Voltage (AC)	U_c	275V/255V	320V/255V	385V/255V
Nominal Discharge Current (8/20 μ s)	I_n	20kA/20kA	20kA/20kA	20kA/20kA
Maximum Discharge Current (8/20 μ s)	I_{max}	40kA/40kA	40kA/40kA	40kA/40kA
Voltage Protection Level	U_p	< 1400V / 1400V	< 1400V / 1400V	< 1800V / 1400V
Response Time	t_A	< 25ns / 100ns		
Back-Up Fuse (max)		125A gL / gG		
Short-Circuit Current Rating (AC)	I_{SCCR}	25kA / 50kA		
TOV Withstand 5s	U_T	335V		
	U_T	440V		
TOV 120min	Mode	Safe Fail		
Number of Ports		1		
UL Electrical				
Maximum Continuous Operating Voltage (AC)	MCOV	275V	320V	385V
Voltage Protection Rating	VPR	900V	1000V	1200V
Nominal Discharge Current (8/20 μ s)	I_n	20kA	20kA	20kA
Short-Circuit Current Rating (AC)	I_{SCCR}	150kA	150kA	150kA
Mechanical & Environmental				
Operating Temperature Range	T_a	-40°F to +158°F [-40°C to +70°C]		
Permissible Operating Humidity	RH	5%...95%		
Atmospheric pressure and altitude		80k Pa ... 106k Pa / -500m ... 2000m		
Terminal Screw Torque	M_{max}	39.9 lbf-in [2.0~2.5 N·m]		
Conductor Cross Section (max)		2 AWG (Solid, Stranded) / 4 AWG (Flexible)		
		35mm ² (Solid, Stranded) / 25mm ² (Flexible)		
Mounting		35mm DIN Rail, EN 60715		
Degree of Protection		IP20(built-in)		
Housing Material		Thermoplastic: Extinguishing Degree UL 94 V-0		
Thermal Protection		Yes		
Operating State / Fault Indication		Green: ok / Red: failure		
Remote Contacts (RC)		Optional		
RC Switching Capacity		AC:250V/0.5A; DC:250V/0.1A; 125V/0.2A; 75V/0.5A		
RC Conductor Cross Section (max)		16AWG (Solid) / 1.5mm ² (Solid)		

EAP SERIES AC SPD T2 I_{max}:40kA

Wiring Method



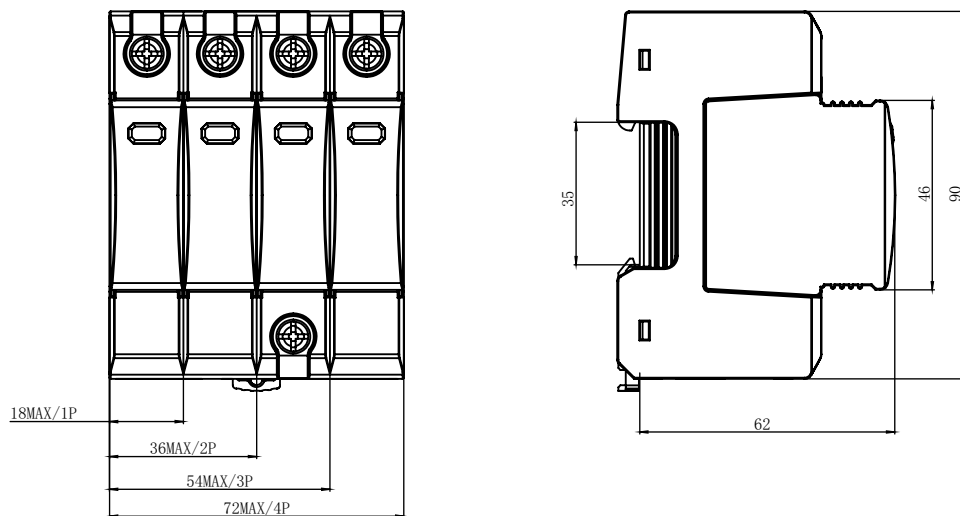
Schematic Diagram



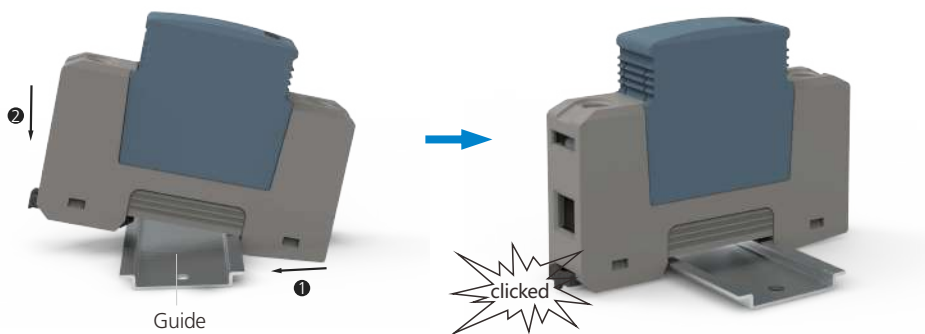
AC Surge Protection Device

EAP SERIES AC SPD T2 I_{max}:40kA

Dimensions(mm)



Installation



Disassemble

